

ELECTROCHEMICAL GLASS CELL

Type: TC4

Description

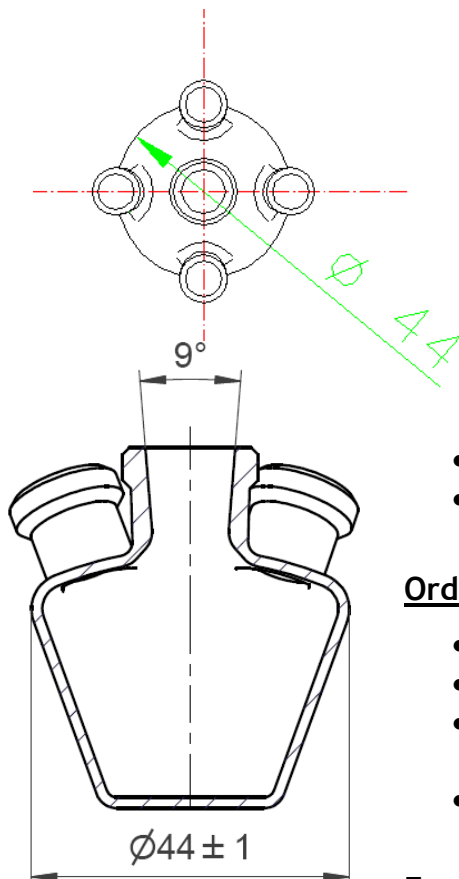
Simple borosilicate glass cell serves for electrochemical measurements. The temperature of the analysed solution can be controlled when placing the cell in MT1.1 minithermostat. Cell openings are designed for electrochemical sensors connector KA1C and stirrer ST, ST1 separately.



Physical Parameters

Dimensions:

Weight: 32 gms
 Length: 45 mm
 Height: 50 mm
 Width: 45 mm



Technical Parameters

- Volume from 5 ml to 20 ml

Optional Equipment

- RCEc, WCEc, ACEc - classical electrodes
- MT1.1 - minithermostat
- KA1C.*, KA2C.* - connector
- ST1, ST - stirrer
- AC1 - electrochemical sensors

Device Usage

- Electrochemical measurements
- Measurements with biosensors and electrochemical sensors

Ordering Information

- The order is specified by whole product code
- Minimum order quantity - 1 electrochemical cell
- Delivery time for standard TC4 is 4 weeks from receipt of order
- Delivery time for non-standard TC4 depends on final technical specification of order

Example of Order - 5 pieces - TC4