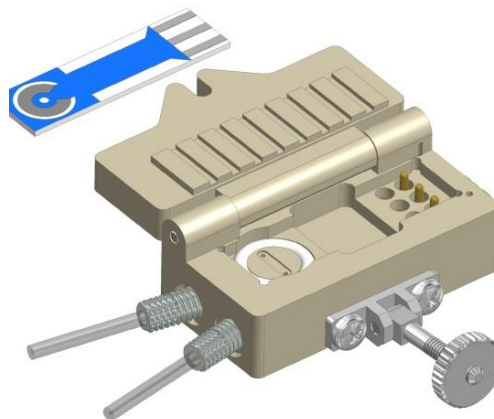


PEEK FLOW CELL

Type: FC4.*.*

Description

The FC4 flow cell is made of PEEK. It has teflon endings permitting a fully compatible connection to chromatography tubing. The flow cell enables the use of sensors in a flow through arrangement. The flow arrangement is **Capillary gap cell "CG"** (wall jet) for AC1 or CC1 sensors or **Thin layer cell "TL"** for AC1, AC2, CC1, CC2 and CC3 sensors. The sensor is inserted into the slit of cell and tightened by closing of the door. The cell ensures the wall-jet flow around the working electrode and it is optimised so that no air bubbles cumulate in the cell. The cell contains also the contact and output cable.



Cell Materials

- Polyether ether ketone (PEEK)

Physical Parameters

Dimensions:

Weight: 11 gms
 Length: 42 mm
 Width: 24 mm
 Thickness: 16 mm

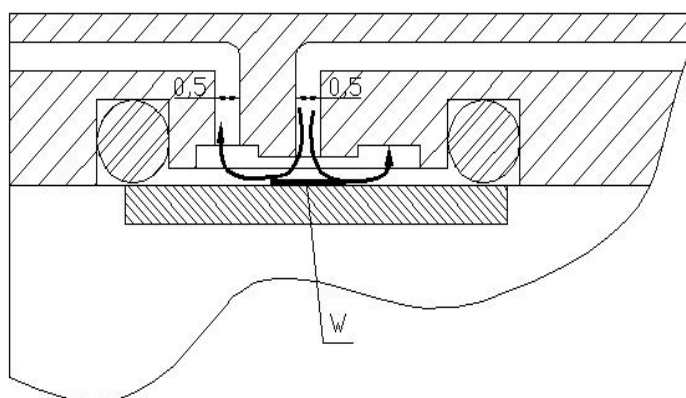
Experimental Accessories

- Peristaltic Pump PP*.*
- Linear Pump LP*.*

Cell Usage

- Flow measurement³
- Flow-injection analysis⁴

Flow Arrangement - Capillary gap cell „CG“
 Original Matsuda solution is derived for jet to semiinfinite wall¹. More precise description is capillary gap cell².



References

1. J. Yamada, H. Matsuda, Limiting Diffusion currents in hydrodynamic voltammetry III. Wall jet electrodes, *Electroanalytical Chemistry and Interfacial Electrochemistry*, 44, 1973, 189-198
2. R. Dworak, H. Wendt, Hydrodynamics and Mass Transfer within the Cylindrical Capillary Gap Electrolysis Cell, *Berichte der Bunsen-Gesellschaft* 80 (1976) 77-82
3. BVT průtokoměr
4. FIA

Ordering Information

- The order is specified by whole product code
- Minimum order quantity - 1 flow cell
- Delivery time for standard FC4 cell is 4 weeks from receipt of order
- Delivery time for non-standard FC4 cell depends on final technical specification of order

Flow cell ordering formula

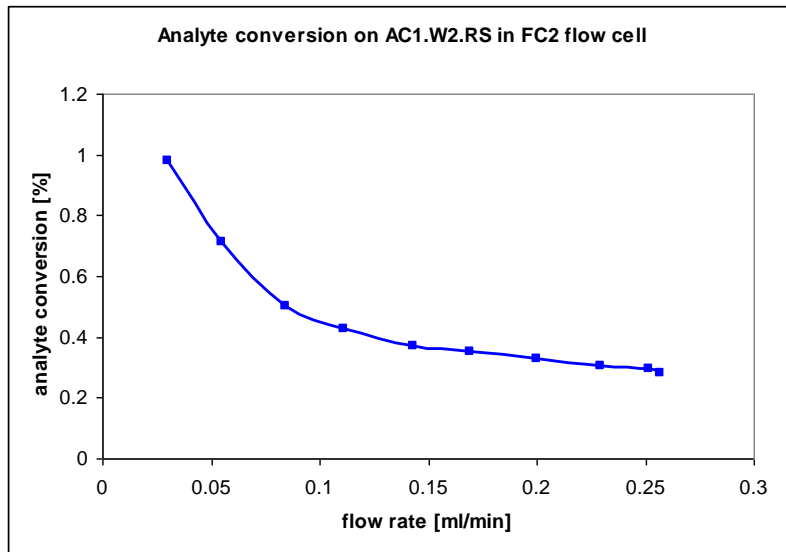
FC4.*.* (Flow cell)

F - Flow	1 - Banana plugs
C - Cell	2 - 7 poles BVT connector
4 - Cell reference number (PEEK)	3 TRIAD - (Triad01 PalmInstruments)
* - Flow specification	3 LEMO4 - (4 pins PalmInstruments)
CG - Capillary gap cell	3 LEMO5 - (5 pins PalmInstruments)
TL - Thin layer	4 - BNC connectors
* - Termination	5 - Small banana plugs
S - Single conductors	

Types of Termination (Three shielded core cable)

Model	Termination	Evaluating Units
FC4.*.S	Single conductors	any device
FC4.*.1	Banana plugs 4mm	any device
FC4.*.2	7 poles BVT connector	any device
FC4.*.3 TRIAD	Triad01 PalmInstruments	Palmsens, EmStat2
FC4.*.3 LEMO4	LEMO 4 pins PalmInstruments	Palmsens3, EIS, EmStat3, 3+
FC4.*.3 LEMO5	LEMO 5 pins PalmInstruments	Palmsens4
FC4.*.4	BNC connectors	any device
FC4.*.5	Small banana plugs 2mm	any device

Analyte conversion on AC1 electrochemical sensor using FC4 cell at different flow rates

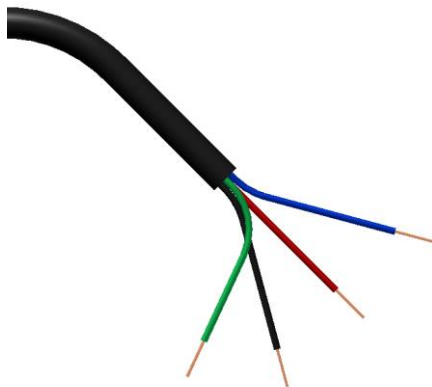


Example of Order

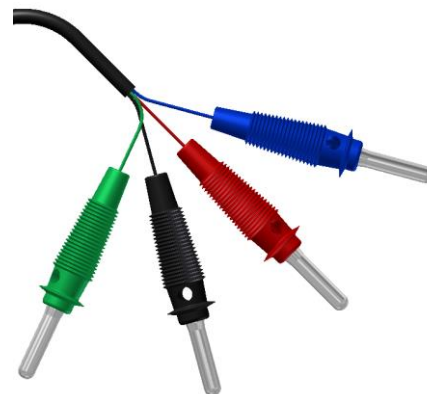
- 5 pieces - FC4.TL.1

Internal Wiring

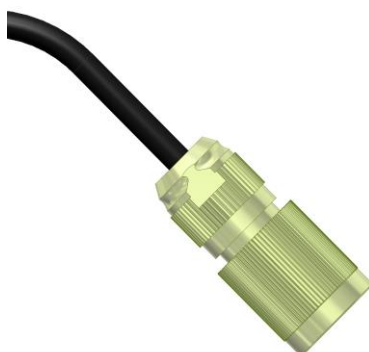
FC4. *.S



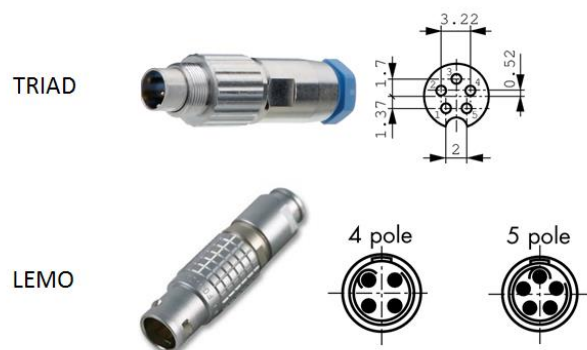
FC4. *.1



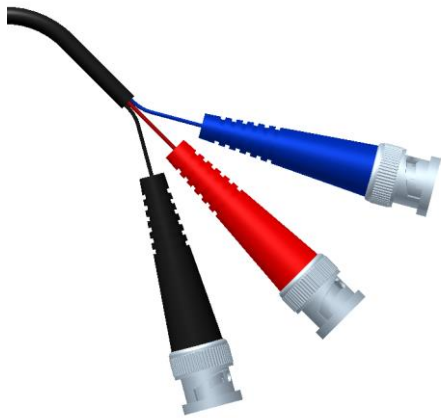
FC4. *.2



FC4. *.3 TRIAD
 FC4. *.3 LEMO4, FC4. *.3 LEMO5



FC4. *.4



FC4. *.5

