

## CONNECTOR FOR ELECTROCHEMICAL SENSORS TYPE AC2

Type: KA2.\*

### Description

The connector enables the use of the biosensor based on the substrates AC2, in classical electrochemical arrangement. The cell TC2, TC3 is recommended for use with KA2.\*.



### Physical Parameters

#### *Dimensions:*

Weight: 35 gms  
 Length: 40 mm  
 Width: 11 mm  
 Cable length 1.5 m

### Types of termination

Model	Cable	Termination	Evaluating Units
KA2.S	Three core Shielded cable	Single conductors	any device
KA2.1	Three core Shielded cable	Banana plugs 4mm	any device
KA2.2	Three core Shielded cable	7 poles BVT connector	any device
KA2.3 TRIAD	Three core Shielded cable	Triad01 PalmInstruments	Palmsens, EmStat2
KA2.3 LEMO4	Three core Shielded cable	LEMO 4 pins PalmInstruments	Palmsens3, EIS, EmStat3, 3+
KA2.3 LEMO5	Three core Shielded cable	LEMO 5 pins PalmInstruments	Palmsens4
KA2.4	Three core Shielded cable	BNC connectors	eDAQ
KA2.5	Three core Shielded cable	Banana plugs 2mm	any device

### Recommended Vessel

- TC2, TC3

### Ordering Information

- The order is specified by whole product code
- Minimum order quantity - 1 connector
- Delivery time for standard KA2 connector is 4 weeks from receipt of order

Datasheet: [KA2.\\*](#)

- Delivery time for non-standard KA2 connector depends on final technical specification of order

**Example of Order**

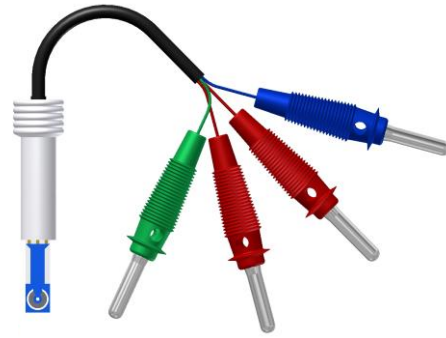
- 5 pieces - KA2.S

**Internal Wiring**

KA2.S



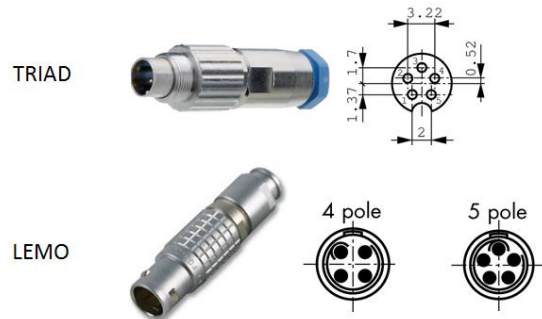
KA2.1



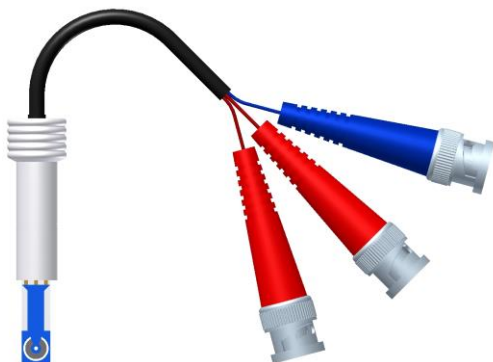
KA2.2



KA2.3 TRIAD, KA2.3 LEMO4  
 KA2.3 LEMO5



KA2.4



KA2.5

