

Mini Rotating Disk Electrode

Type: Mini RDE

Description

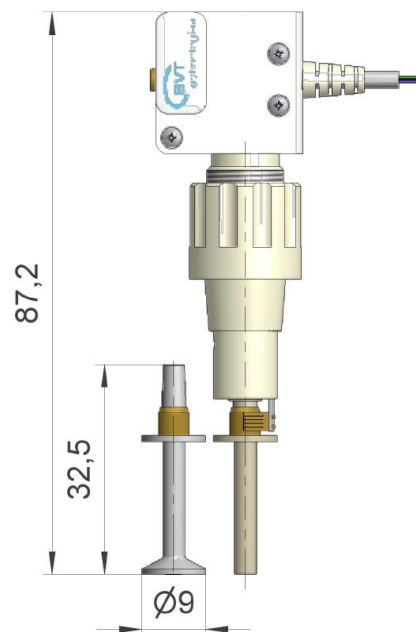
The Mini Rotating disk electrode (Mini RDE) in general enables defined mass transfer towards electrode surface. The Mini RDE consists of the body of the RDE (motor) with 6 pcs of interchangeable electrode tips. The device is equipped by control electronics and SW and powered by USB connection with PC.

Rotational speed of Mini RDE is 10 - 1300 rpm.



RDE is suitable for measurements in glass cells of type TC4, TC5, TC6 and TC7. During measuring with RDE in a classic three-electrode connection, it is advisable to use a classic reference RCEc.R* and auxiliary electrode ACEc.

Delivery Mini RDE contains

- Mini Rotating disk electrode - Mini RDE
- Control unit and software
- Electrode tips for RDE:
 - 1 pc of 1RDE.W1 (wire in glass, W = Pt, diameter 2 mm)
 - 5 pcs of 2RDE.W2 (screen printed, W = Au, diameter 2.5 mm)
- Take out tool
- Software
- USB cable
- Manual



The electrode tip materials included in the RDE are defined by 1RDE.W1, 2RDE.W2.

1RDE.W1 2 mm		2RDE.W* 2.5 mm	
1 = Wire in glass		2 = Screen printed electrode	
RDE = Rotating disc electrode		RDE = Rotating disc electrode	
W = Work electrode		W = Work electrode	
1 - Platinum		2 - Gold	
Diameter of working electrode: 2 mm		Diameter of working electrode: 2.5 mm	

Note: Additional interchangeable electrode tips for RDE in different types (wire in glass, screen printed, tip in a peek casing) and materials can be ordered separately (see product “Mini RDE tips”). (Also listed in additional accessory equipment below).

Device Advantages

- Small size, low liquid volumes
- Low price of basic set and disposable electrodes too
- Easy connection and operation through USB connection to PC
- Can be connected to your potentiostat
 (Optional electrode connector type: bare wire, banana plug or BNC)

Additional accessory equipment

1RDE.W1 2 mm	Electrode tip for RDE, wire in glass, W1 = Pt; diameter 2 mm
2RDE.W* 2.5 mm	Electrode tip for RDE, screen printed, W1 = Pt, W2 = Au, W3 = Cu, W4 = glassy carbon; diameter 2.5 mm
3RDE.W4 3 mm	Electrode tip for RDE, tip in a peek casing, W4 = glassy carbon; diameter 3 mm
3RDE.W4 5 mm	Electrode tip for RDE, tip in a peek casing, W4 = glassy carbon; diameter 5 mm
TC4, TC5, TC6, TC7	Electrochemical glass cells
WCEc	External Working Classic Electrode Conic (+cables)
ACEc	External Auxiliary Classic Electrode Conic (+cables)
PalmSens4	PalmSens - potentiostat
AC1, AC2, AC4	Electrochemical sensors
KA1.C.S	Conic connector for electrochemical sensors
STK.S-C	The customer starter kit - set of different electrochemical sensors to find the best one that suits your application

Ordering/Price Information

- Delivery time is 8 weeks from receipt of order
- Example of order:
 1piece Mini RDE + Accessory equipment: 5 pieces 3RDE.W4 3 mm