

ELECTROCHEMICAL GLASS CELL

Type: TC4

Description

Simple borosilicate glass cell serves for electrochemical measurements. The temperature of the analyzed solution can be controlled when placing the cell in MT1-1 minithermostat.

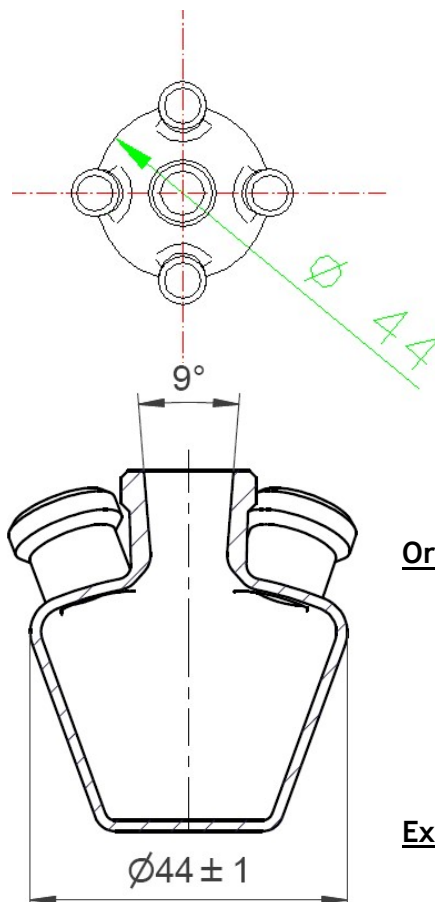
Cell openings are designed for electrochemical sensors connector KA1.C, classical electrodes WCEc, ACEc, RCEc and stirrer ST1, ST3 separately.



Physical Parameters

Dimensions:

| | |
|---------|--------|
| Weight: | 32 gms |
| Length: | 45 mm |
| Height: | 50 mm |
| Width: | 45 mm |



Technical Parameters

- Volume from 5 ml to 20 ml

Optional Equipment

- RCEc, WCEc, ACEc - classical electrodes
- MT1-1 - minithermostat
- KA1.C, KA2.C - connector
- ST1, ST3 - stirrer
- AC1 - electrochemical sensors

Device Usage

- Electrochemical measurements
- Measurements with biosensors and electrochemical sensors

Ordering Information

- The order is specified by whole product code
- Minimum order quantity - 1 electrochemical cell
- Delivery time for standard TC4 is 4 weeks from receipt of order
- Delivery time for non-standard TC4 depends on final technical specification of order

Example of Order - 5 pieces - TC4