

CONIC CONNECTOR FOR ELECTROCHEMICAL SENSORS TYPE AC1, AC4, AC11, CC1, CC2, TS1

Type: KA1.C.*

Description

The connector enables the use of the biosensor based on the substrates AC1, AC4, AC11, AC13, CC1, CC2 and TS1 in classical electrochemical arrangement with stirred vessel. The cell TC4, TC5, TC6 is recommended for use with KA1.C.*.



Physical parameters

Dimensions:

Weight: 36 gms
 Length: 37 mm
 Width: 10 mm
 Cable length 1 m or 0.2 m

Types of termination

Model	Cable	Termination	Evaluating Units
KA1.C.S	Three core Shielded cable	Single conductors	any device
KA1.C.1	Three core Shielded cable	Banana plugs 4mm	any device
KA1.C.2	Three core Shielded cable	7 poles BVT connector	any device
KA1.C.3 TRIAD	Three core Shielded cable	Triad01 PalmInstruments	Palmsens, EmStat2
KA1.C.3 LEMO4	Three core Shielded cable	LEMO 4 pins PalmInstruments	Palmsens3, EIS, EmStat3, 3+
KA1.C.3 LEMO5	Three core Shielded cable	LEMO 5 pins PalmInstruments	Palmsens4
KA1.C.4	Three core Shielded cable	BNC connectors	eDAQ
KA1.C.5	Three core Shielded cable	Banana plugs 2mm	any device
KA1.C.6	Interconnection cable for EMW(0,2m)	Banana plugs 2mm	any device

Recommended Vessel

- TC4, TC5, TC6

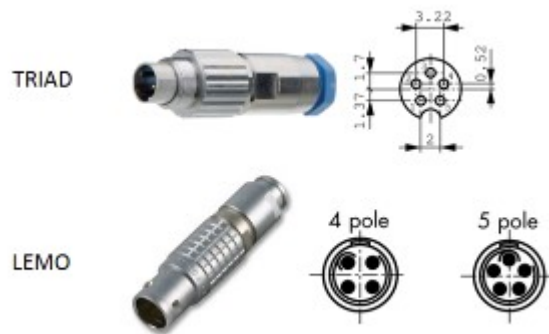
Ordering Information

- The order is specified by whole product code
- Minimum order quantity - 1 connector
- Delivery time for standard KA.1.C connector is 4 weeks from receipt of order
- Delivery time for non-standard KA1.C connector depends on final technical specification of order

Example of Order

- 5 pieces - KA1.C.S

KA1.C.3 TRIAD, KA1.C.3 LEMO4,
KA1.C.3 LEMO5



Internal Wiring

KA1.C.S



KA1.C.1



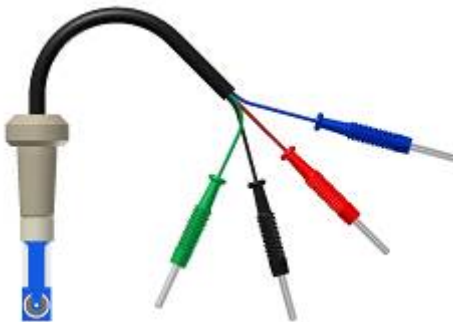
KA1.C.2



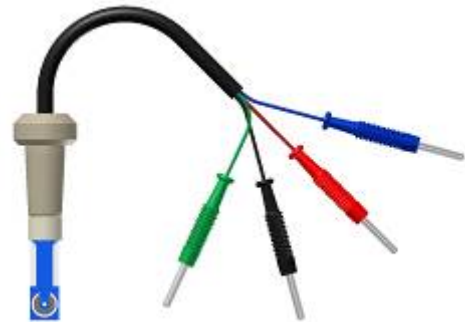
KA1.C.4



KA1.C.5



KA1.C.6





BVT TECHNOLOGIES, a.s.
www.bvt.cz
info@bvt.cz