

ELECTROCHEMICAL SENSOR

Type: AC2.W*.R* (*)

Description

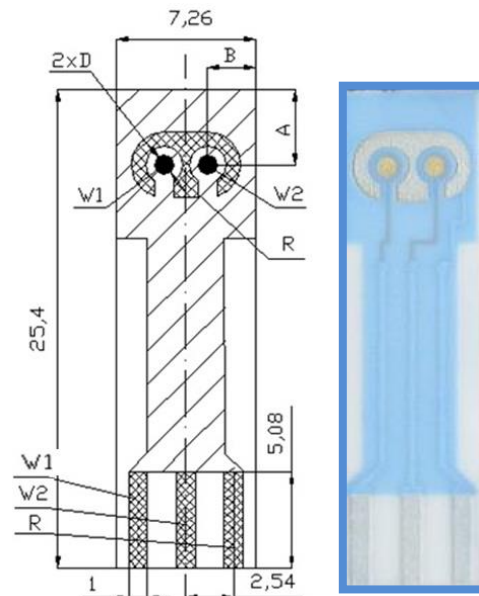
The sensor is formed on a corundum ceramic base. On to this surface two working electrodes, and one reference electrode are applied. The working and the auxiliary electrodes can be made of variety of materials. At the end of the sensor there is a contacting field which is connected with the active part by the silver conducting paths which are covered by a dielectric protection layer. Different bio-chemically active substance can be immobilised on the working electrode to create a biosensor.

Physical parameters

Dimensions:

Weight: 0.3 gms
 Length: 25.40 mm
 Width: 7.26 mm
 Thickness: 0.63 mm

A = 4.00 mm
 B = 2.54 mm
 D_w = 1.00 mm

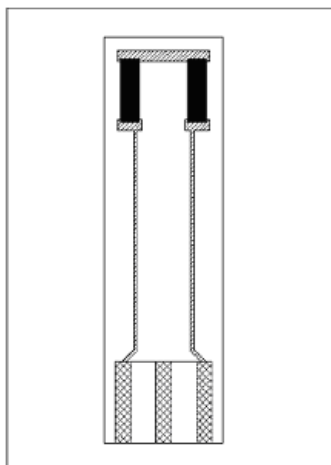


Electrode Materials are defined by:

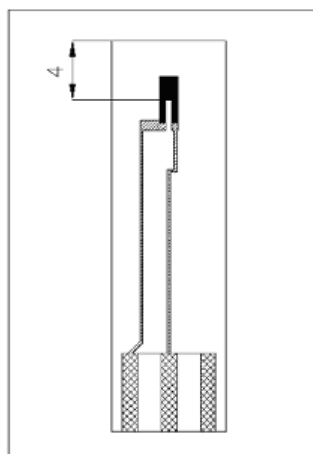
AC2.W*.R* (*)

The asterisk is replaced by the appropriate number or letter.

AC - Amperometric sensor or electrode on corundum ceramic base	
AC2 - Sensor group reference number	
W - Working electrode material	R - Reference electrode material
S - Alloy of Gold and Platinum	S - Silver
1 - Pure Gold	1 - Silver / Silver Chloride
2 - Pure Platinum	2 - Silver covered by AgCl
3 - Pure Silver	(*) - Additional Technical specification
4 - Graphite	H - Heating of the sensor
5 - Manually microdispensed Graphite with Au+Pt alloy auxiliary electrode	T - Temperature sensing element



AC2.W*.R* (H)



AC2.W*.R* (T)

Connector types for AC2 sensors range

	KA2	KA2.S	KA2.C	KA4
AC2.W*.R*	✓	✓	✓	✓
AC2.W*.R*(H)				✓
AC2.W*.R* (T)				✓

Heating parameters:

Maximum voltage is 35 V and temperature approximately 500°C, resistance: 80 Ohm.

Thermistor:

- 1) Resistance paste - resistance 160 Ohm, coefficient K= 6100 ppm/K
- 2) Pt1000

Sensor Usage

This specific range of AC2 sensors enable the measurement of:

- Basic electrochemical and bio-electrochemical techniques
- 2 species simultaneous
- Analyte on background of electrochemically active compound (electrochemical interference)

Ordering information

- The order is specified by whole sensor description formula
- Minimum order quantity - 20 sensors
- All order quantities are to be in multiples of 20 e.g. 20, 40, 80, etc.
- Delivery time for standard AC2 sensors is 4 weeks from receipt of order
- Delivery time for non-standard AC2 sensors depends on final technical specification of order

Examples of Order

- 100 pieces - AC2.W2.R1