

Acetylcholinesterase BIOSENSOR

Type: AC1.AChE

Description

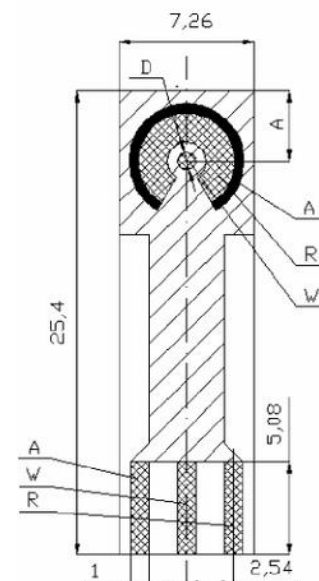
Acetylcholinesterase from electric eel type VI-S is immobilized on the active surface of a working electrode of electrochemical sensor AC1.W2.RS (i.e. Platinum working electrode, silver reference electrode). The diameter of the immobilized bioactive membrane is 2 mm and the mean applied activity is 1 unit/mm².

Physical parameters

Dimensions:

Weight: 0.4 gms
 Length: 25.40 mm
 Width: 7.26 mm
 Thickness: 0.63 mm

A = 4.00 mm
 D_w = 1.00 mm



Electrode Materials are defined by:

AC1.W2.RS

W... Working electrode - pure platinum

R ... Reference electrode - silver

(Detailed description of sensor: datasheet AC1.W*.R* (*))

On the surface on the working electrode is an enzymatic membrane containing 1 IU (Unit) of AChE enzyme, which is immobilized.

Unit definition - Acetylcholinesterase from electric eel

- AChE
- True cholinesterase
- EC 3.1.1.7
- Sigma Aldrich - type VI-S
- One unit will hydrolyze 1,0 μmol of acetylcholine to choline and acetate per minute at pH 8 and temperature 37 °C.

Datasheet: [AC1.AChE](#)

Connector types for AC1.AChE sensors range

	KA1	KA1.S	KA1.C	KA4
AC1.AChE	✓	✓	✓	✓

Evaluation Unit

- PalmSense

Sensor Usage

- Measurement of AChE inhibitor concentration (organophosphorous and carbamate pesticides, toxic and neurotoxic gases (e.g. sarin), chemical weapons, ...)

Expiration

3 months at temperature 0 - 4°C

Transport

Sensors are delivered in thermoboxes keeping low temperature

Ordering information

- The order reference: AC1.AChE
- Minimum order quantity - 20 sensors
- Orders in multiples of 20
- Delivery time for standard AC1.AChE sensors is 4 weeks from receipt of order
- Delivery time for non-standard AC1.AChE sensors depends on final technical specification of order

Examples of Order

- 100 pieces - AC1.AChE