

ELECTROCHEMICAL SENSOR

Type: AC6.W*.R*

Description

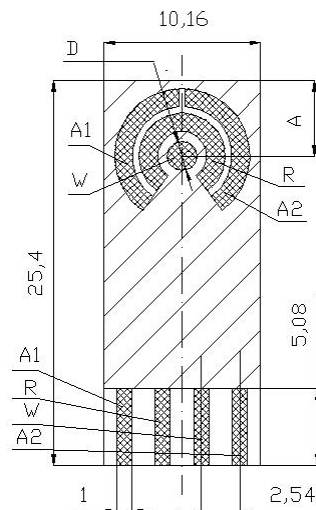
The sensor is formed on a corundum ceramic base. On to this surface the working, the reference and two auxiliary electrodes are applied. The electrodes can be made from variety of materials (see below). At the end of the sensor there is a contacting field. It is connected with the active part by the silver conducting paths which are covered by a dielectric protection layer. A bio-chemically active substance can be immobilised on the working electrode of the sensor.

Physical parameters

Dimensions:

Weight: 0.6 gms
Length: 25.40 mm
Width: 10.16 mm
Thickness: 0.63 mm

A = 5.00 ± 0.05 mm
D = 1.60 ± 0.05 mm



Electrode Materials are defined by:

AC6.W*.R*

The asterisk is replaced by the appropriate number or letter.

A - Amperometric sensor or electrode	3 - Pure Silver
C - Corundum ceramic base	4 - Graphite
6 - Sensor group reference number	R - Reference electrode material
W - Working electrode material	S - Silver
S - Alloy of Gold and Platinum	1 - Silver / Silver Chloride
1 - Pure Gold	2 - Silver covered by AgCl
2 - Pure Platinum	

Connector types for AC6 sensors range

	KA6.S
AC6.W*.R*	✓

Ordering information

- The order is specified by whole sensor description formula
- Minimum order quantity - 25 sensors
- All order quantities are to be in multiples of 25 e.g. 25, 50, 75, etc.
- Delivery time for standard AC6 sensors is 4 weeks from receipt of order
- Delivery time for non-standard AC6 sensors depends on final technical specification of order

Examples of Order

- 100 pieces - AC6.W2.R1